

# COMPLETE SOLUTIONS FOR CRANES & HOISTING PROJECTS

## JAURE® COUPLINGS PROGRAM: HSS AND LSS SOLUTION

Jaure Couplings are designed, manufactured and specified for the demands of cranes and hoist applications designed for both HSS (high speed) and LSS (low speed) requirements. Our options include various types of flexible couplings such as MT gear, Lamidisc® disc pack and Jauflex® elastic, with brake disc or drum + Barflex® TCBR barrel couplings to offer extend life and in application performance compared to common designs.



**HSS** several options:



Disc pack type/  
LAMIDISC® SXFD



Elastic type /  
JAUFLEX® SDDL

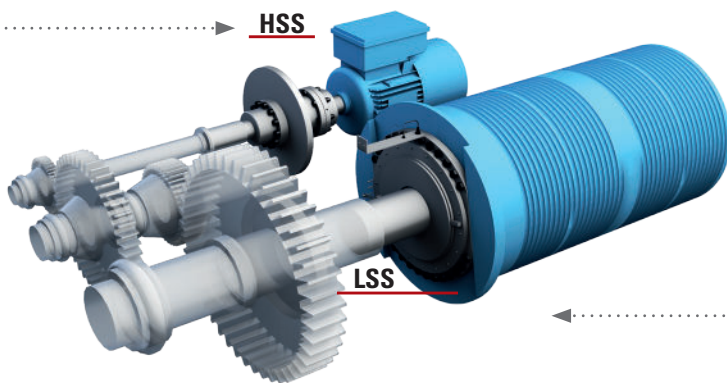


Gear type /  
MTFS

### ELECTRONIC WEAR INDICATOR DEVICE



POWERED BY **ceptiv**



**LSS**



Barrel type /  
Lifting mechanism /  
TCBR

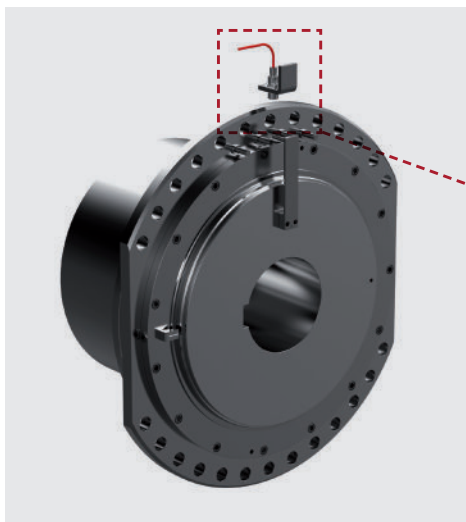
# COMPLETE SOLUTIONS FOR CRANES & HOISTING PROJECTS

## JAURE® ELECTRONIC WEAR INDICATOR POWERED BY PERCEPTIV™ INTELLIGENCE

Regal Rexnord completed their full package solution for cranes & hoisting with an electronic indicator to monitor wear remotely. The electronic wear indicator can be connected either to the operator's control system or to an optional display unit to allow continuous or periodic monitoring of the Jaure Barflex® TCBR barrel coupling wear.

### FEATURES:

- Real time wear indicator: shows real progressive wear magnitude against wear limit.
- Reliable and accurate wear value, even in maximum misalignment working conditions.
- Gives alarm once maximum wear limit is reached.
- Can give direct signal to crane PLC.
- Can be placed inside crane control panel.
- Positively tested in very dusty working atmosphere.



**JAURE®**

**Perceptiv™**

**Motion Control Solutions  
Regal Rexnord**

Customer Service: 800-626-2120

Technical Service: 800-626-2093

[CustomerService.PTSolutions@regalrexnord.com](mailto:CustomerService.PTSolutions@regalrexnord.com)

[regalrexnord.com](http://regalrexnord.com)

The proper selection and application of products and components, including assuring that the product is safe for its intended use, are the responsibility of the customer. To view our Application Considerations, please visit <https://www.regalrexnord.com/Application-Considerations>.

To view our Standard Terms and Conditions of Sale, please visit <https://www.regalrexnord.com/Terms-and-Conditions-of-Sale> (which may redirect to other website locations based on product family).

"Regal Rexnord" is not indicative of legal entity. Refer to product purchase documentation for the applicable legal entity. Regal Rexnord, Barflex, Jaure, Jauflex, Lamidisc and Perceptiv are trademarks of Regal Rexnord Corporation or one of its affiliated companies.

© 2016, 2022 Regal Rexnord Corporation, All Rights Reserved. MCSSI22024E • Form# 10074E

**RegalRexnord™**